

ESB303

230/400Vac 16A Inrush Current Limiter for N-wire-networks

For capacitive loads, 3x230/400Vac 16A, 16 ⅓ Hz – 440Hz, - 40°C ... +60°C

Short Specification:

- Peak- / R.M.S. current limiter
- 3x200-240Vac or 400Vac
- DIN TS35mm DIN-Rail
- Wall mount (universal housing)
- Spring-type terminals 0,5-6mm² / 21-10AWG
- Integrated bypass relay
- Capacitive load 6.000uF per phase conductor
- Integrated over temperature protection
- IP20 UL94V-0 housing DIN43880 for DIN/VDE0603 cutout box

The ESB303 is a budget-priced inrush peak current limiter for high loads in LED-applications, complex automation systems and in the machine building. The ESB303 offers effective and interference free operation with capacitive loads. It is simple to integrate into existing equipment. The ESB303 is self-powering and does not require an external power supply.

3x200-240Vac or 400Vac 16A 16 ⅓ Hz – 440Hz

Use ESB303 either as a 3-channel-230V-ESB or to protect 400Vac networks. No simple NTC-solution! It allows to reduce cabling sections and to install fast circuit breakers. 100% protection from tripping pre-installed circuit breakers or burning relay and line switch contacts.



Technical Table

| | |
|--|---|
| Model | ESB303.LED.200/400 |
| Peak Current Limiting ±6% | 48A |
| R.M.S Current Limiting ±6% | 33,9A |
| Maximum Allowed Capacitive Load | 6.000uF |
| Limiting Time (T _{on} Power On) | 350ms (±50ms) |
| Release Time (T _{off} Low Voltage) | 800ms (±50ms) |
| Limiting Interval [T _{interval} for AC _{cont.}] | ≥ 1200ms |
| Circuit breaker at 30°C | We suggest using a B13A or a B16A MCB with 10kA (never use an MCB >16A) |
| AC Input Range | 184-265Vac to power the device between N (neutral) and the conductors L1, L2, L3 |
| AC Nominal Input Range | 200-240Vac to power the device |
| L1, L2, L3 conductor continuous capability | 400Vac 16A between the conductors L1, L2, L3 |
| Line Frequency | 16 ½ Hz – 440Hz |
| Switch-On Voltage | 165Vac |
| AC Lower Margin | 52Vac (AC dump / drop out voltage) |
| AC Current | 16A continuous load current at the inputs and at the outputs |
| Power Supply | No external power supply required, item is self-powering |
| Power Consumption | <3.1W constant at continuous operation, <1.1W per phase conductor |
| Limiting Cycles | Between each limiting action shall be a break of 20 sec., to let the device cool down until the next limiting starts |
| Internal Protection | Thermal fuse protects from overheat & fire |
| Cooling | Natural convection |
| Operation Temp. | Ambient temperature -40°C ... +60°C continuous (see operations temperature list for details in this manual) |
| Storage Temp. | -40°C ... +85°C for 2 years |
| EMI | EN55032 class B |
| EMS | EN61000-6-2,3 |
| Safety Norms | EN60950-1, EN61010-1:2011-07, VDE 0411-1:2011-07 |
| Safety Class II | VDE0805, VDE0100/ÖVE8001 |
| ROHS conformity | ROHS Directive 2011/65/EU, (EU)2015/863 |
| REACH conformity | REACH Directive 1907/2006 |
| MTBF Calculation | 460.000h (IEC/EN61709, Siemens SN29500) |
| MTTF Calculation | 415.000h (+30°C) (IEC/EN61709, Siemens SN29500) |
| Humidity | 95% (+25°C) not condensing |
| Pollution Degree | 2 (IEC/EN50178) |
| Environmental | Thermal environment 3K3, mechanics 3M4 (IEC/EN60721) |
| Altitude max. | 4000m (13123 ft.) above sea level |
| Dimensions (WxHxD) | (Wide=5TE), 97.8x110x62mm |
| Housing Parameters | UL94V-0 ABS RTI 85°C, housing for DIN/VDE0603 cutout box and for wall mount |
| DIN-Rail | DIN-Rail TS35mm DIN/EN60715 (TS35/7,5 und TS35/15) |
| Weight | 300g / 0,66lb |
| Connections | Spring-type terminal with cable protection 0,5...6mm ² 21...10AWG according with IEC/EN60664-1, IEC/EN61984 Use copper conductors only. Tightening torque per terminal block is 0.5 - 0.6 Nm / 4.5 - 5.3 lbf-in |

General Description

The CAMTEC ESB303 is the 3rd generation and cost-effective inrush current limiter. The limiter is designed for 200-240V and can be operated in a 3x400Vac 16A networks with a neutral conductor. The ESB303 can either be used as 3-channel single-phase ESB or as a 3x400Vac ESB. Each phase connection allows to connect 6000uF capacitive load. It is necessary to connect the Neutral conductor to the ESB to let the device operate. The PE conductor must not be connected to the ESB303. The line frequency range is 16½Hz – 440Hz. The ESB303-Limiter shall be located between the line-switcher/contactator and the load. The ESB-models are designed for capacitive loads (not for inductive loads like coils/transformers, not for AC-motors and not for DC-voltage application). In the moment of switching-on the system the inrush current of the installed load will be limited for the defined time T_{on}. Independent from the previous inrush level; the current limiting is always strict. After T_{on} elapses the current limiting circuit of the ESB303 will be bypassed. Then the load is directly connected to the AC. The electrical network can be stressed with current loads as normal (e.g. motors, pumps). If an AC dump overshoots the defined time T_{off}, it will be detected by the ESB303. As soon as the AC recovers the inrush will be limited, again. The ESB303-models provide an internal temperature control. In case of a failure the device shuts down to safely prevent from overheating or fire. The power consumption of the unit is <3,3W (<3x1,1W per phase conductor at 230Vac)

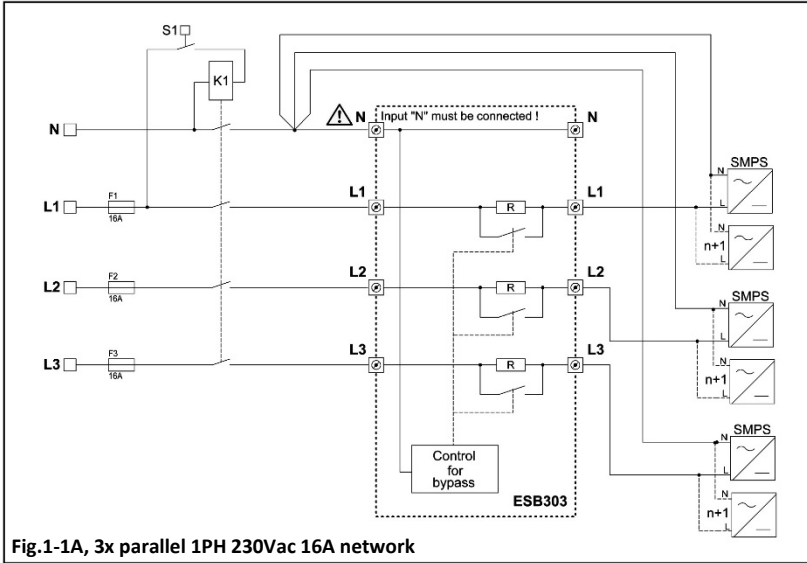
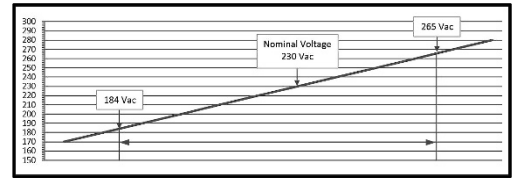


Fig.1-1A, 3x parallel 1PH 230Vac 16A network



| N must be connected | AC Input Voltage Range | | |
|----------------------|------------------------|---------|---------|
| N → (L1, L2, L3) | 184 Vac | 230 Vac | 265 Vac |
| between (L1, L2, L3) | 320 Vac | 400 Vac | 460 Vac |

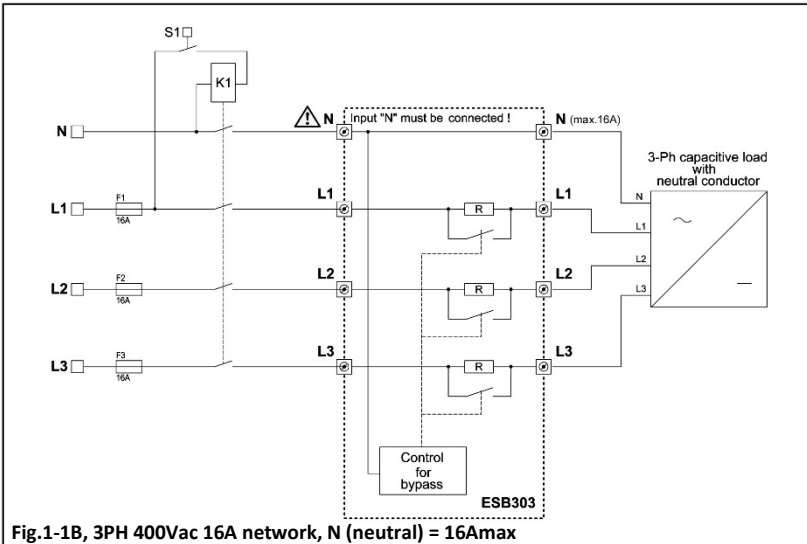
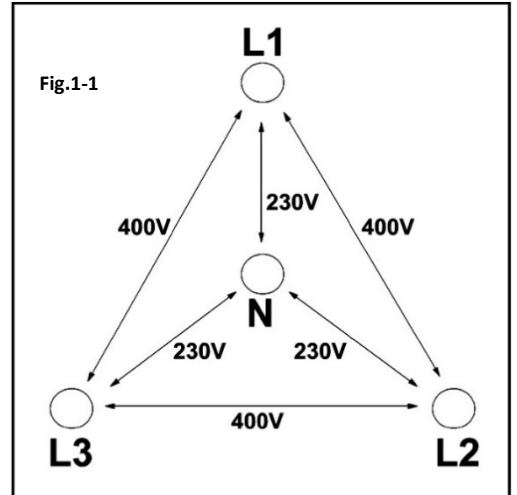


Fig.1-1B, 3PH 400Vac 16A network, N (neutral) = 16Amax

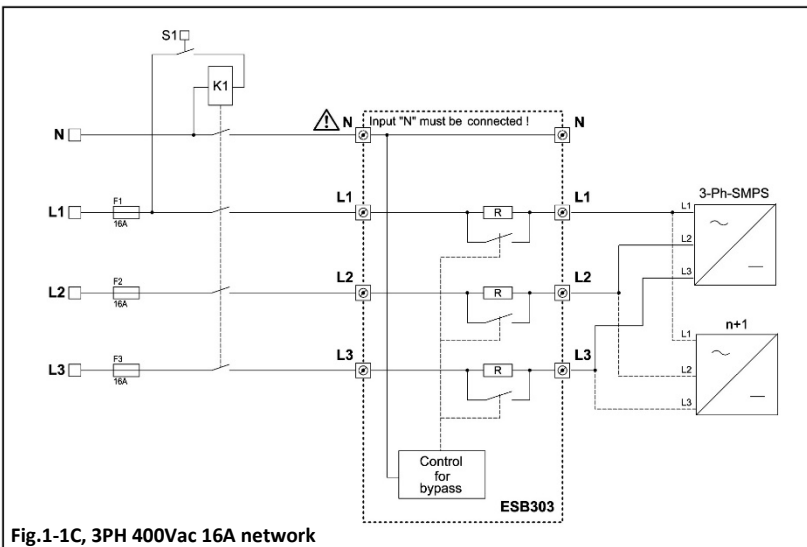


Fig.1-1C, 3PH 400Vac 16A network

The figures 1-1A, 1-1B and 1-1C show all possible installation variations where the ESB303 can be used. The neutral must be connected to the unit. If the neutral is not connected the ESB303 remains in the limiting mode. If so, the device will overheat, and the internal temperature protection will irreversible blow. The device is powered between phase conductor and the neutral. Each phase connection is limited separately thus a loss or a breakdown of each line is protected by the ESB303 unit.

The figure 1-1 shows the distribution of the potentials in relation to the neutral connection. In three-phase systems, the effective value of the sinusoidal AC mains voltage between an outer conductor and the neutral conductor is 230V, and between two outer conductors is approx. 400V.

The ESB303 cannot be used in 3-phase systems without an N-wire. For such application we recommend the use of our ESB00163 and ESB00323 inrush limiters.

Field Applications

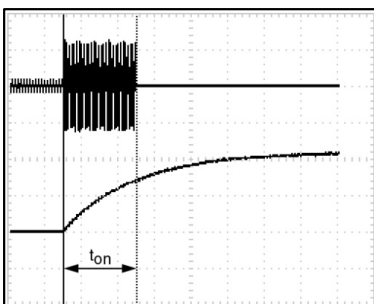
The ESB303 limiter allows connecting much more capacitive loads (e.g. LED-power supply / LED-driver) to a pre-installed circuit breaker CB. The ESB avoids that the MCB will be tripped. This occurs independent to the objective initial current. The result is that the number of A.C. branch lines and the pre-installed MCB can be reduced dramatically. Installation cost exhibit a sustained decline. Alternatively, the cross section of the branch lines can be reduced when using smaller and faster responding circuit breakers. The cost saving from copper is essential. Sensitive AC networks can be fused safer (e.g. Traffic Control Systems, Street-Lighting, Parking Lots and Tunnels). When the ESB303 is installed correctly, the neutral wire (N) is looped through. The inrush protection circuit always acts to the line conductor. The load relates to the AC in such a way that a circuit breaker or an earth-leakage-trip works within the limits of the legal rules. This fact is also applied while the limiting circuit acts. The ESB303 is designed for capacitive loads, only. The ESB303 cannot be used together with transformers, coils, AC-motors & drives, heaters or with DC-voltage at all.

General type information ESB303.LED

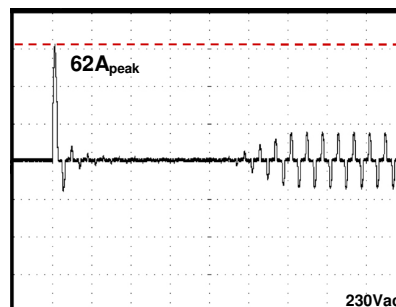
The ESB303-model is a universal inrush current limiter. The concept design is made to construct optimized A.C. networks in the building automation, the machine building and in the lighting sector. Tripping the installed circuit breaker will be effectively prevented. The inrush limiting time is adjusted to the values of a typical LED switch mode power supply or a LED-driver. The connectable load capacity is such as high, that even in the extremes cases it is rather impossible to exceed it in a 16A network. Installed contractors will be discharged and their lifetimes will considerable increase. Note that the ESB303 is not designed to operate together with gas induction lamps or other conventional lighting device. The ESB303 is designed for capacitive loads, only.

Design-In of the ESB303 into A/C networks

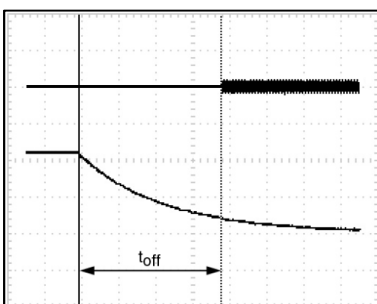
The ESB303 model is a precise inrush current limiter with an overall tolerance of $\pm 6\%$ of the face value. For the dimension of an upstream connected circuit breaker the R.M.S is the key value of the inrush current, not the peak current. The thermal trigger point will not be met, even while using an extreme fast CB. All-dominant is the magnetic trigger current. By using the empirical formula $I_{(peak)} \times 0,707_{(factor)} = I_{(r.m.s.)}$ the tripping current can be defined exact. Bear in mind that all the higher the inrush current is, all the faster the input capacitor of several connected switch mode power supplies will be loaded. Deduced by this fact we can say that within a 230V or a 400V 16A A/C N-wire network the ESB303.LED.200/400V limiter is the right selection for a B13A 10kA or a B16A MCB 10kA. The technical table on page 2 shows the R.M.S value of the ESB303. Do not use an MCB that has a larger value than 16A



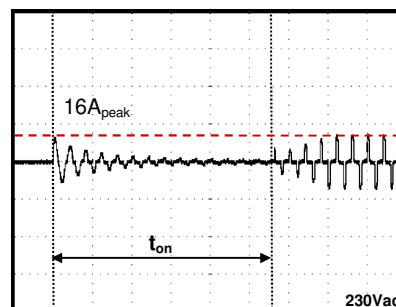
(Fig.5 limiting time T_{on})



(Fig.7 inrush without ESB303)



(Fig.6 AC dump detection T_{off})



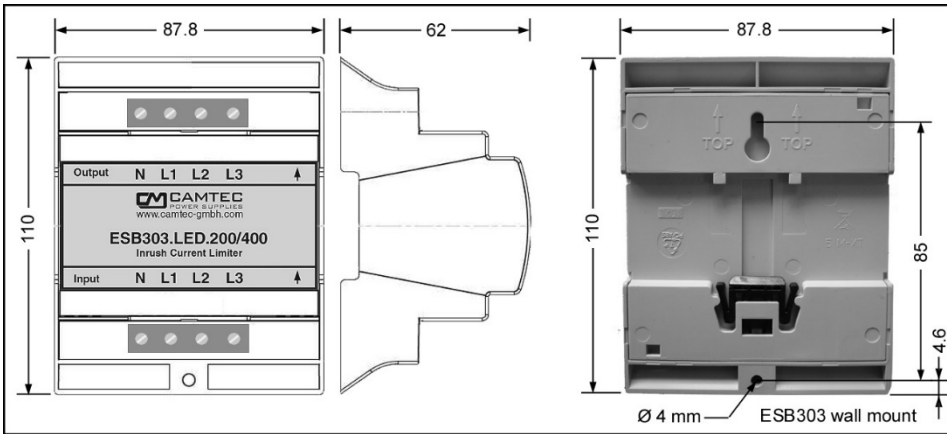
(Fig.8 inrush with ESB303)

Fig.7 and Fig.8

Fig.7 and Fig.8 show the typical start behavior of a NTC protected switch mode power supply. The used test item is a CAMTEC HSE10001.24T power supply with an output of 24V/42A (1008W) on DIN-Rail. The peak current recordings show the precise limiting of the inrush from formerly $62A_{peak}$ to $16A_{peak}$. The corresponding R.M.S level, that is responsible for the magnetic tripping of the MCB, is mark down by factor 0,707. After the time T_{on} elapsed it is identified that the power supply starts neatly into the continuous operation mode. Now the current is absorbed pulse-shaped from the AC. In detail the full load R.M.S. current consumption level of the HSE10001 hits 9A @ 230Vac.

Mechanics

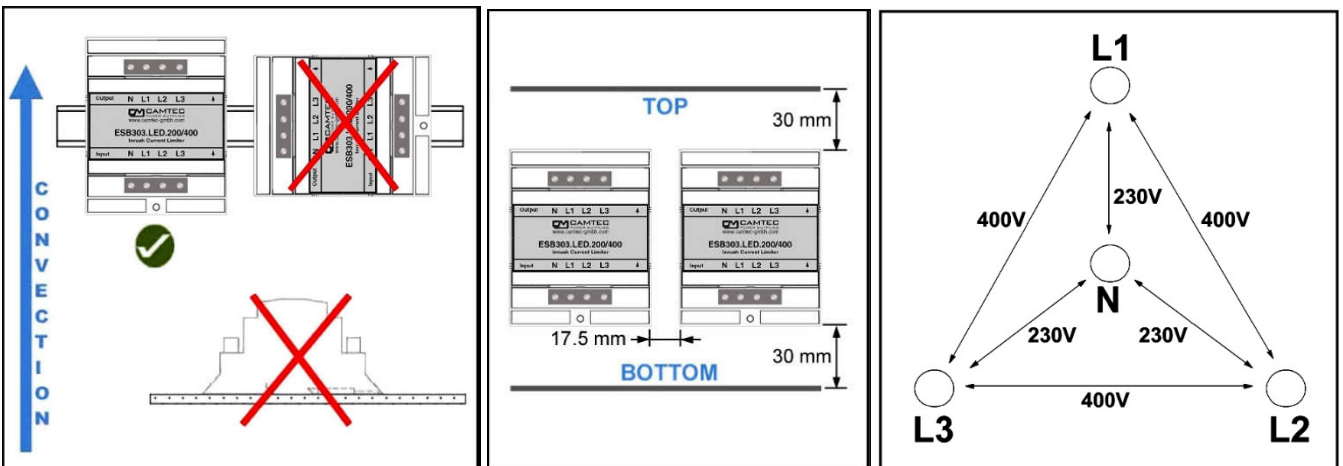
IP20 housing, UL94V-0 ABS with RTI 85°C, housing for DIN/VDE0603 cutout box and wall mount. DIN 43880 with IEC standardized ventilation slots. Save fix on DIN-Rail TS35mm (7.5/15) DIN/EN60715. It is designed for building cabinets DIN/VDE0603. Easy to wall mount by multifunctional housing; remove the DIN-Rail latch and access the two mounting holes to screw the ESB303 to any flat surface.



Mounting Instructions

Follow the mounting restrictions to allow maximum lifetime of the product and to prevent from tripping the internal temperature protection fuse. The ESB303 is an active device. The distance between an ESB303 and the next active or temperature sensitive device shall be 17,5mm. To a non-active device, the distance can be 0mm. The power consumption of the device is 3.3W (3x1.1W per phase conductor) constant at 230Vac continuous operation. Make sure that the ventilation holes below and above the unit are not blocked to allow free air convection. The neutral must be connected to the device. If the neutral is not connected the ESB303 remains in the limiting mode. If so, the device will overheat, and the internal temperature protection will irreversible blow.

| | | | | |
|-----------------------|---------------------|--------------------------------------|-----------------|-----------------|
| Operation Temperature | Ambient Temperature | ESB303.LED.200/400 AC 16A current | ANSI / UL 508 | -40°C ... +55°C |
| | | | CAN / CSA C22.2 | -40°C ... +55°C |
| | | | IEC 61010-1 | -40°C ... +60°C |



The distance between an ESB303 and the next active or temperature sensitive device shall be 17,5mm. To a non-active device, the distance can be 0mm.

Table of the standards

| Model | Camtec Article No. | EN 60950-1 | EN 61010-1 | EN 61004-1 | VDE approval |
|--------------------|--------------------|------------|------------|------------|----------------|
| ESB303.LED.200/400 | 3041114001CA | Yes | Yes | applicable | In preparation |

| | |
|---|--|
| English Installation instruction | <p>Read this first! Before operating this device, please read this manual thoroughly and retain this manual for future reference! This device may only be installed and put into operation by qualified personnel. If damage or malfunction should occur during operation, immediately turn power off and send device to the factory for inspection. The device does not contain serviceable parts. The information presented in this document is believed to be accurate and reliable and may change without notice. For any clarifications the English translation will be used.</p> <p>WARNING Risk of electrical shock, fire, personal injury, or death:</p> <ul style="list-style-type: none"> - Turn power off before working on the device. Protect against inadvertent re-powering. - Do not open, modify or repair the device. - Use caution to prevent any foreign objects from entering the housing. - Do not use in wet locations or in areas where moisture or condensation can be expected. - Do not touch during power-on and immediately after power-off. Hot surfaces may cause burns. |
| Deutsch Installations- anweisung | <p>Vor der Inbetriebnahme lesen! Bitte lesen Sie diese Warnungen und Hinweise sorgfältig durch, bevor Sie das Gerät in Betrieb nehmen. Bewahren Sie die Anleitung zum Nachlesen auf. Das Gerät darf nur durch fachkundiges und qualifiziertes Personal installiert werden. Bei Funktionsstörungen oder Beschädigungen schalten Sie sofort die Versorgungsspannung ab und senden das Gerät zur Überprüfung ins Werk. Das Gerät beinhaltet keine Servicebauteile. Die angegebenen Daten dienen allein der Produktbeschreibung und sind nicht als zugesicherte Eigenschaften im Rechtssinne aufzufassen. Im Zweifelsfall gilt der englische Text.</p> <p>WARNUNG Missachtung nachfolgender Punkte kann einen elektrischen Schlag, Brände, schwere Unfälle oder Tod zur Folge haben:</p> <ul style="list-style-type: none"> - Schalten Sie die Eingangsspannung vor Installations-, Wartungs- oder Änderungsarbeiten ab und sichern Sie diese gegen unbeabsichtigtes Wiedereinschalten. - Führen Sie keine Änderungen oder Reparaturversuche am Gerät durch. Gerät nicht öffnen! - Verhindern Sie das Eindringen von Fremdkörpern, wie z.B. Büroklammern und Metallteilen. - Betreiben Sie das Gerät nicht in feuchter Umgebung oder in einer Umgebung, bei der mit Betauung oder Kondensation zu rechnen ist. - Gehäuse nicht während des Betriebes oder kurz nach dem Abschalten berühren. Heiße Oberflächen können Verletzungen verursachen. |
| Français Instruction d'installation | <p>A lire avant mise sous tension! Veuillez lire ces instructions de montage et d'entretien avant de mettre l'alimentation sous tension. Conservez ce manuel qui vous sera toujours utile. Cette alimentation ne doit être installée que par du personnel qualifié et compétent. En cas de dommage ou dysfonctionnement, coupez immédiatement la tension d'alimentation et retournez l'appareil à l'usine pour vérification! L'alimentation ne contient pas de pièces échangeables Les données indiquées dans ce document servent uniquement à donner une description du produit et n'ont aucune valeur juridique. En cas de divergences, le texte anglais fait foi.</p> <p>AVERTISSEMENT Prendre en compte les points suivants, afin d'éviter toute détérioration électrique, incendie, dommage aux personnes ou mort:</p> <ul style="list-style-type: none"> - Mettre l'alimentation hors tension avant toute intervention sur celle-ci et s'assurer qu'il n'y a pas risque de redémarrage. - Ne pas ouvrir, modifier ou réparer l'alimentation. - Veiller à ce qu'aucun objet ne rentre en contact avec l'intérieur de l'alimentation (trombones, pièces métalliques). - Ne pas faire fonctionner l'appareil dans un environnement humide ou dans un environnement où il peut y avoir de la condensation. - Ne pas toucher le carter pendant le fonctionnement ou directement après la mise hors tension. Surface chaude risquant d'entraîner des blessures. |
| Español Instrucciones de instalación | <p>Lea primero! Conserve este manual como referencia para futuras consultas. La fuente de alimentación solo puede ser instalada y puesta en funcionamiento por personal cualificado. Por favor lea detenidamente este manual antes de conectar la fuente de alimentación. Si se produce un fallo o mal funcionamiento durante la operación, desconecte inmediatamente la tensión de alimentación. En ambos casos, el equipo debe ser inspeccionado en fábrica. La información presentada en este documento es exacta y fiable en cuanto a la descripción del producto y puede cambiar sin aviso. En casa de duda, prevalece el texto inglés.</p> <p>ADVERTENCIA Riesgo de descarga eléctrica, incendio, accidente grave o muerte:</p> <ul style="list-style-type: none"> - Desconectar la tensión de red antes de trabajar en la fuente de alimentación. Evite una posible reconexión involuntaria. - No realizar ninguna modificación o reparación de la unidad. No abrir la unidad. - Evitar la introducción en la carcasa de objetos extraños. - No usar el equipo en ambientes húmedos. No operar el equipo en ambientes donde se espere la formación de rocío o condensación. - No tocar durante el funcionamiento ni inmediatamente después del apagado. El calor de la superficie puede causar quemaduras graves. |
| Italiano Istruzioni di Installazione | <p>Leggere prima questa parte! Prima di collegare il sistema di alimentazione elettrica si prega di leggere attentamente le seguenti avvertenze. Conservare le istruzioni per la consultazione futura. Il sistema di alimentazione elettrica deve essere installato solo da personale competente e qualificato. Se durante il funzionamento si verificano anomalie o guasti, scollegare immediatamente la tensione di alimentazione. In entrambi i casi è necessario far controllare l'apparecchio dal produttore! I dati sono indicati solo a scopo descrittivo del prodotto e non vanno considerati come caratteristiche garantite dell'apparecchio. In caso di differenze o problemi è valido il testo inglese.</p> <p>AVVERTENZA Il mancato rispetto delle seguenti norme può provocare folgorazione elettrica, incendi, gravi incidenti e perfino la morte:</p> <p>Prima di eseguire interventi di installazione, di manutenzione o di modifica scollegare la tensione di rete ed adottare tutti i provvedimenti necessari per impedirne il ricollegamento non intenzionale.</p> <ul style="list-style-type: none"> - Non tentare di aprire, di modificare o di riparare da soli l'apparecchio. - Impedire la penetrazione di corpi estranei nell'apparecchio, ad esempio fermagli o altri oggetti metallici. - Non far funzionare l'apparecchio in un ambiente umido. Non far funzionare l'apparecchio in un ambiente soggetto alla formazione di condensa o di rugiada. - Non toccare quando acceso e subito dopo lo spegnimento. La superficie calda può causare scottature. |
| Português Instruções de instalação | <p>Leia primeiro! Recomendamos a leitura cuidadosa das seguintes advertências e observações, antes de colocar em funcionamento a fonte de alimentação. Guarde as Instruções para futura consulta, em casos de dúvida. A fonte de alimentação deverá ser instalada apenas por profissionais da área, tecnicamente qualificados. Se por acaso, durante a utilização ocorrer algum defeito de funcionamento ou dano, desligue imediatamente a tensão de alimentação. Em ambos os casos, será necessária uma verificação na Fábrica! Os dados mencionados têm como finalidade somente a descrição do produto, e não devem ser interpretados como propriedades garantidas no sentido jurídico. Em caso de dúvidas aplica-se o texto em inglês.</p> <p>ATENÇÃO A não observância ou o incumprimento dos pontos a seguir mencionados, poderá causar uma descarga elétrica, incêndios, acidentes graves ou morte:</p> <p>Antes de trabalhos de instalação, manutenção ou modificação, desligue a tensão de alimentação, protegendo-a contra uma nova ligação involuntária.</p> <ul style="list-style-type: none"> - Não efectue nenhuma modificação ou tentativa de reparação no aparelho. Quando necessário contacte o seu distribuidor. Não abra o aparelho. - Proteger a fonte de alimentação contra a introdução inadvertida de corpos metálicos, como por ex., cliques ou outras peças de metal. - Não usar o aparelho em ambientes húmidos. Não usar o aparelho em ambientes propensos a condensações. - Não tocar enquanto estiver em funcionamento, nem após a desligar. A superfície poderá estar quente e provocar lesões. |